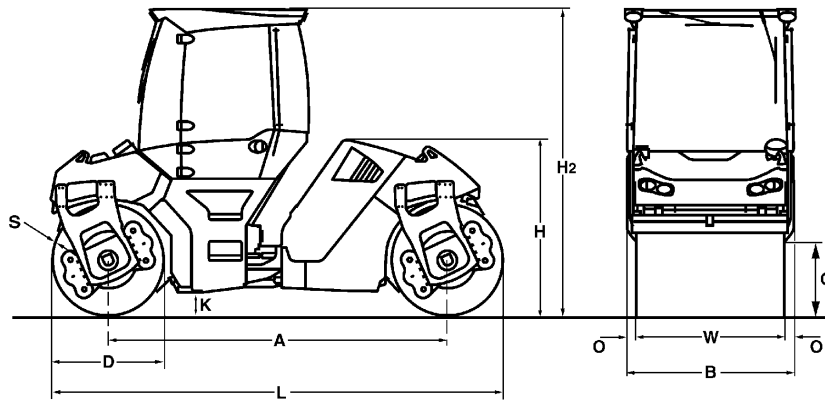


# TECHNICAL DATA

TANDEM ROLLERS

BW 161 AD - 50, BW 202 AD - 50, BW 206 AD-50





**Dimensions in mm**

	A	B	C	D	H	H2	K	L	O	S	W
<b>BW 161 AD - 50</b>	3620	1836	670	1220	2315	3050	250	4840	78	17	1680
<b>BW 202 AD - 50</b>	3620	2291	670	1220	2315	3050	250	4840	78	19	2135
<b>BW 206 AD-50</b>	3900	2313	760	1400	2364	3093	250	5300	89	19	2135

**Shipping dimensions in m3**

**BW 161 AD - 50**  
**BW 202 AD - 50**  
**BW 206 AD-50**

**without ROPS**

20,572  
 25,670  
 28,980

**with ROPS**

27,103  
 33,820  
 37,917

Machine type	Compaction output (m3/h) at recommended soil layer thicknesses		
	Gravel, sand	Mixed soil	Silt, clay
BW 161 AD - 50	150-320	140-260	100-220
BW 202 AD - 50	280-550	200-400	150-250
BW 206 AD-50	280-550	200-400	150-250

Machine type	Compaction output (t/h) at different asphalt layer thicknesses		
	2-4 cm	6-8 cm	10-14 cm
BW 161 AD - 50	50-100	100-200	150-230
BW 202 AD - 50	80-160	130-270	200-340
BW 206 AD-50	90-180	150-300	250-500

**Technical Data****BOMAG  
BW 161 AD - 50****BOMAG  
BW 202 AD - 50****BOMAG  
BW 206 AD-50****Weights**

Operating weight CECE w. cab. ....	kg	10.000	12.300	14.100
Axle load, front CECE .....	kg	5.100	6.350	6.950
Axle load, rear CECE .....	kg	4.900	5.950	7.150
Static linear load, front CECE .....	kg/cm	30,4	29,7	32,6
Static linear load, rear CECE .....	kg/cm	29,2	27,9	33,5
Grossweight .....	kg	10.500	13.000	16.000

**Dimensions**

Track radius, inner .....	mm	4.900	4.673	5.117
---------------------------	----	-------	-------	-------

**Driving Characteristics**

Max. travel speed .....	km/h	0- 11,5	0- 12,0	0- 12,0
Max. gradeability without/with vibr. ...	%	35/30	35/30	35/30

**Drive**

Engine manufacturer .....		Deutz	Deutz	Deutz
Type .....		BF4M 2012 C	BF4M 2012 C	BF4M 2012 C
Emission stage .....		Stage II / TIER2	Stage II / TIER2	Stage II / TIER2
Cooling .....		Liquid	Liquid	Liquid
Number of cylinders .....		4	4	4
Performance ISO 14396 .....	kW	103,0	103,0	103,0
Performance SAE J 1995 .....	hp	138,0	138,0	138,0
Speed .....	min-1	2.500	2.500	2.500
Electric equipment .....	V	12	12	12

**Brakes**

Service brake .....		hydrost.	hydrost.	hydrost.
Parking brake .....		multi disc	multi disc	multi disc

**Steering**

Steering system .....		oscil.artic.	oscil.artic.	oscil.artic.
-----------------------	--	--------------	--------------	--------------

**Exciter system**

Vibrating drum .....		front + rear	front + rear	front + rear
Autom. vibr. shut off .....		standard	standard	standard
Frequency .....	Hz	40/55	40/55	40/55
Amplitude .....	mm	0,87/0,44	0,84/0,31	0,92/0,42
Centrifugal force .....	kN	95/90	126/88	129/113
Centrifugal force .....	t	9,7/9,2	12,8/9,0	13,1/11,5

**Capacities**

Fuel .....	l	145,0	145,0	165,0
Water .....	l	750,0	750,0	970,0

Technical modifications reserved. Machines may be shown with options.

### Standard Equipment

- 2 amplitudes / 2 frequencies
- Autom. vibration operation
- Individual vibration control
- Driver's seat, slewable (-20/+70°)  
- laterally slidable with steering wheel
- V-belt protection
- Pressure sprinkling system with 2 pumps
- Back-up alarm
- Battery disconnect switch
- Folding scrapers

### Optional Equipment

- ROPS cabin with seat belts  
+ heating, Ventilation  
+ 4 Working head lights
- ROPS cabin with air conditioning
- Rotary beacon
- 2 LED-lights for cabin roof (flatbeam)
- ROPS/FOPS
- Asphalt temperature display
- Crab walk
- BOMAG TELEMATIC START
- Compartments for documents and tools
- Outside mirrors
- Working lights
- Lights with german regulations
- Frequency  
67Hz(BW161),70Hz(BW202/206)
- BOMAP compaction navigation with  
GPS
- ECONOMIZER
- Edge cutter

